

FICHA TÉCNICA

CÓDIGO.- 16992 – 16993

FECHA REVISIÓN Septiembre 2019

1.-NOMBRE

16992 - BASE VEGA. 200 ML AIRLESS BLANCO

16993 - BOMBA VEGA. 200 ML BLANCA 18/415 + T/ TRANSPARENTE

2.-DESCRIPCIÓN

Envase airless 200 ml. Base color blanco + bomba color blanco + capot en transparente.

3.-MATERIALES

Material BASE: PP + COEX

Material BOMBA: PP + ULDPE

Material TAPA: PP

4.-ESPECIFICACIONES

Peso envase completo:	42,5 gr. +- 1
Altura base:	130,2 mm +- 1,1
Altura total bomba:	58 mm +- 0,53
Diámetro:	52mm +- 0,6

Basado en los datos y documentación aportada por nuestro proveedor.

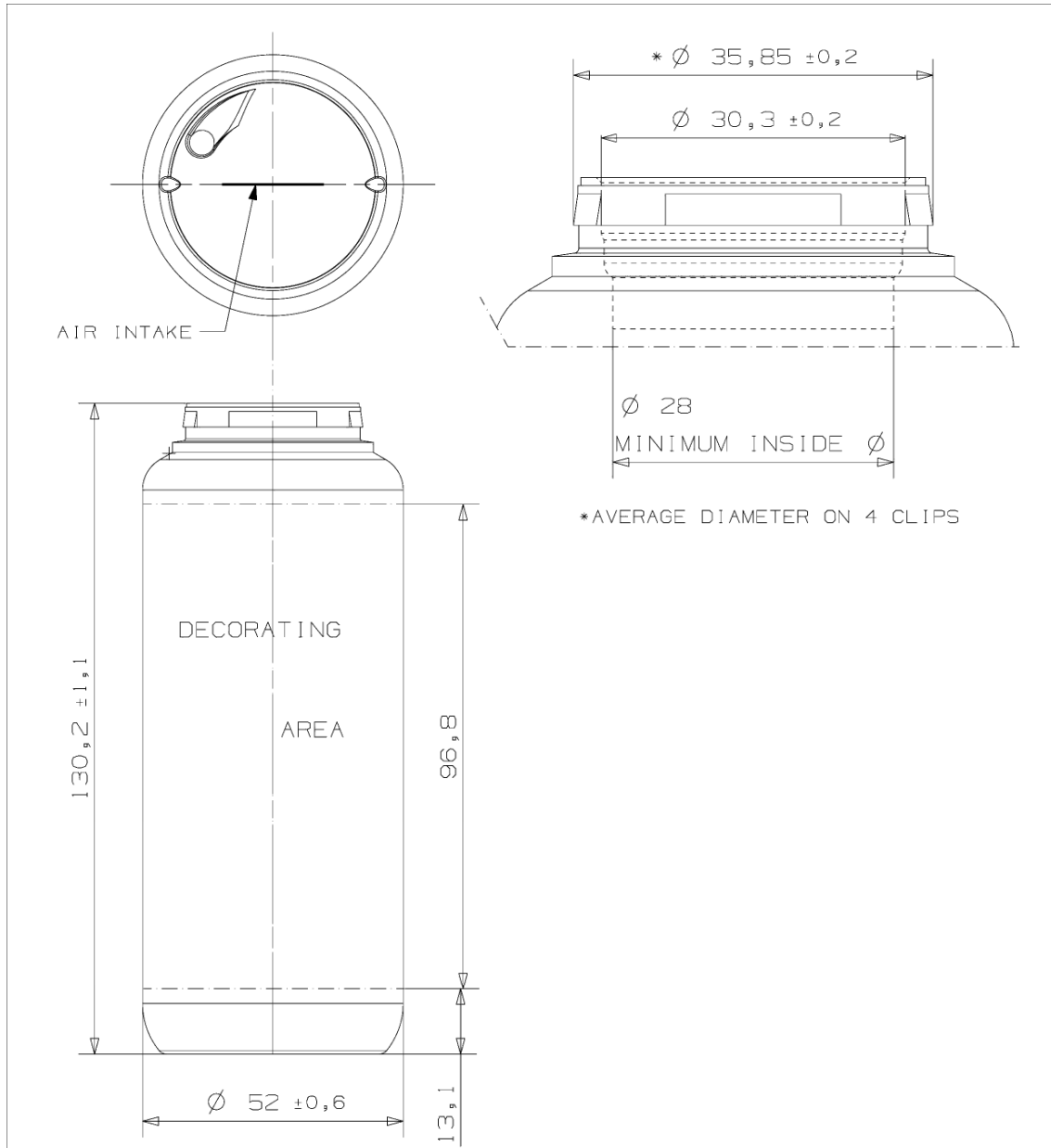
Con Certificado **COSMOS y ECOCERT**

5.-USOS

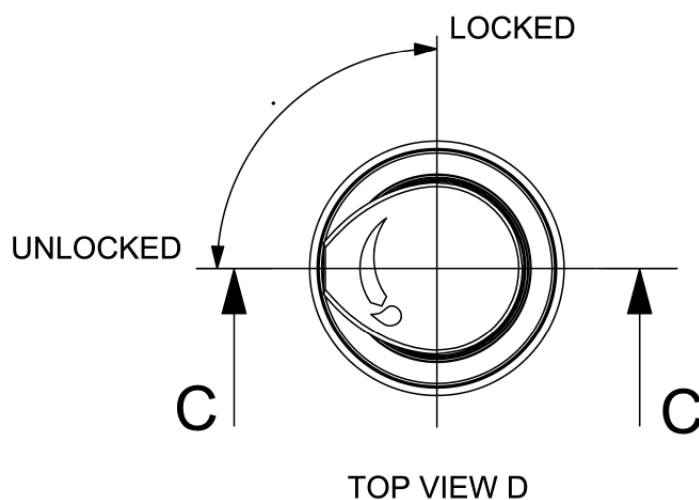
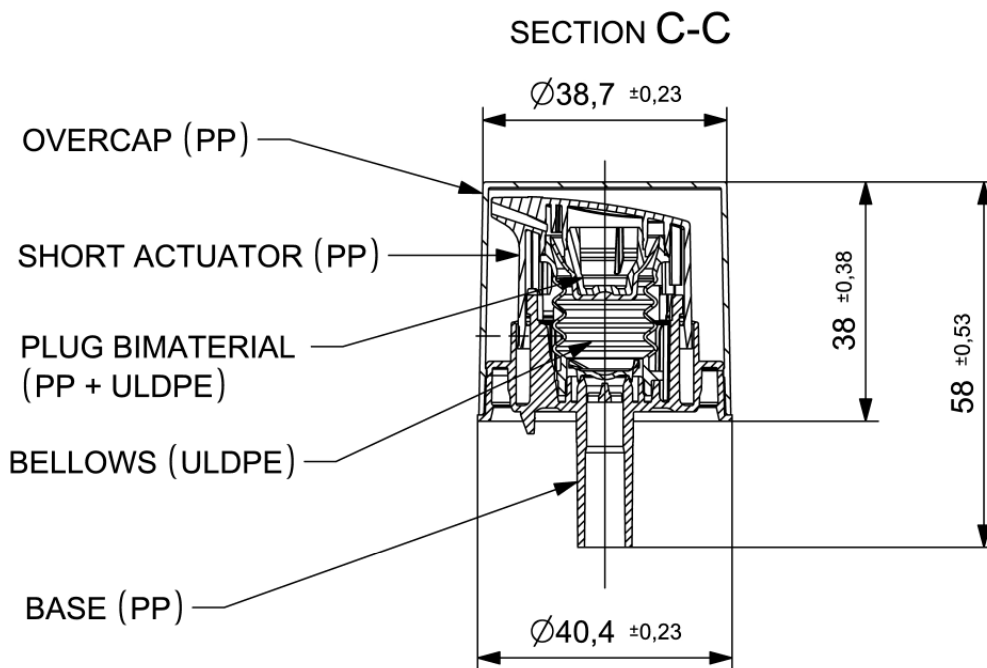
Cosmético

6.-OBSERVACIONES Y PLANO

BASE



BOMBA



DOSE : 1.4ml
AVERAGE WEIGHT 15±1g



ATTESTATION OF CONFORMITY

- PACKAGING -

This attestation has been granted by ECOCERT Greenlife to the company:

whose raw materials (listed hereafter) have been assessed as compliant to the standard:

COSMOS

(v3.0 – September 2018)

This attestation of conformity has been issued on the basis of the terms and conditions for the verification of packaging according to COSMOS standard available on the COSMOS association website: <https://cosmos-standard.org/> and the conformity has been established according to the requirements related to packaging contained in this standard.

Issued in l'Isle Jourdain,

Valid from : 01/01/2019
Until : 31/12/2019

Valérie Lemaire
ECOCERT Greenlife General Manager



Page 1 on 2

Ecocert Greenlife SAS - Capital 50 000€ - BP 47 - Lieu-dit Lamothe Ouest - 32600 L'Isle Jourdain
Tel : +33 (0)5 62 07 51 09 - Fax : +33 (0)5 62 07 74 96 - www.ecocert.com

TVA Intracommunautaire n° FR 55 509 534 095
CREDIT MUTUEL 2200 20246201 29 - SIREN 509 534 095 RCS AUCH - APE 7120B

List of packaging approved for:

Trade name	Type	Material	Volume	Shape
ECOSOLUTION	airless	PP, PE, EVOH	30mL, 50mL, 100mL, 200mL, 400mL, 500mL <i>Available with short actuator or long actuator pump</i>	Cylindrical
SLIDISSIME QUARTZ	airless	PP, PE, TPE, PETG, PCTA	50mL	Cylindrical

WARNING: This attestation of conformity belongs to ECOCERT Greenlife SAS. It must be erased on ECOCERT request.

Page 2 on 2

Ecocert Greenlife SAS - Capital 50 000€ - BP 47 - Lieu-dit Lamothe Ouest - 32600 L'Isle Jourdain
Tel : +33 (0)5 62 07 51 09 - Fax : +33 (0)5 62 07 74 96 - www.ecocert.com

TVA Intracommunautaire n° FR 55 509 534 095
CREDIT MUTUEL 2200 20246201 29 - SIREN 509 534 095 RCS AUCH - APE 7120B

ATTESTATION OF CONFORMITY
- PACKAGING -

This attestation has been granted by ECOCERT Greenlife to the company:

whose raw materials (listed hereafter) have been assessed as compliant to the standard:

ECOCERT NATURAL AND ORGANIC COSMETICS
(v2 - May 2012)

This attestation of conformity has been issued on the basis of the terms and conditions for the verification of packaging according to ECOCERT Natural and organic cosmetics standard available on the ECOCERT website: <http://www.ecocert.com> and the conformity has been established according to the requirements related to packaging contained in this standard.

Issued in l'Isle Jourdain,

Valid from : 01/01/2019
Until : 31/12/2019

Valérie Lemaire
ECOCERT Greenlife General Manager



Page 1 on 2

Ecocert Greenlife SAS - Capital 50 000€ - BP 47 - Lieu-dit Lamothe Ouest - 32600 L'Isle Jourdain
Tel : +33 (0)5 62 07 51 09 - Fax : +33 (0)5 62 07 74 96 - www.ecocert.com

TVA Intracommunautaire n° FR 55 509 534 095
CREDIT MUTUEL 2200 20246201 29 - SIREN 509 534 095 RCS AUCH - APE 7120B

List of packaging approved for:

Trade name	Type	Material	Volume	Shape
ECOSOLUTION	airless	PP, PE, EVOH	30mL, 50mL, 100mL, 200mL, 400mL, 500mL <i>Available with short actuator or long actuator pump</i>	Cylindrical
SLIDISSIME QUARTZ	airless	PP, PE, TPE, PETG, PCTA	50mL	Cylindrical

WARNING: This attestation of conformity belongs to ECOCERT Greenlife SAS. It must be erased on ECOCERT request.

Page 2 on 2

Ecocert Greenlife SAS - Capital 50 000€ - BP 47 - Lieu-dit Lamothe Ouest - 32600 L'Isle Jourdain
Tel : +33 (0)5 62 07 51 09 - Fax : +33 (0)5 62 07 74 96 - www.ecocert.com

TVA Intracommunautaire n° FR 55 509 534 095
CREDIT MUTUEL 2200 20246201 29 - SIREN 509 534 095 RCS AUCH - APE 7120B